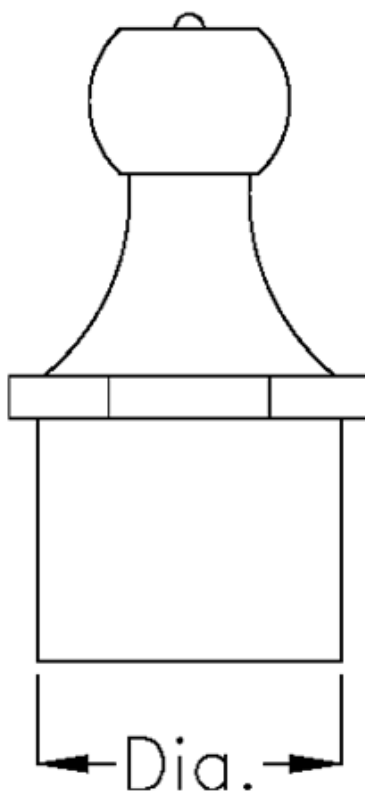


Article number: 53090109

Description: KLEE Hydraulic lubricating nipple DIN 71412
H1a straight, Ø6mm push-on type

Measures



Diameter = Ø6mm